



Audio Microphone Series

User Manual

Model : **AA002PJ**

IP Camera used Audio Pick up Box with 3.5mm phone jack



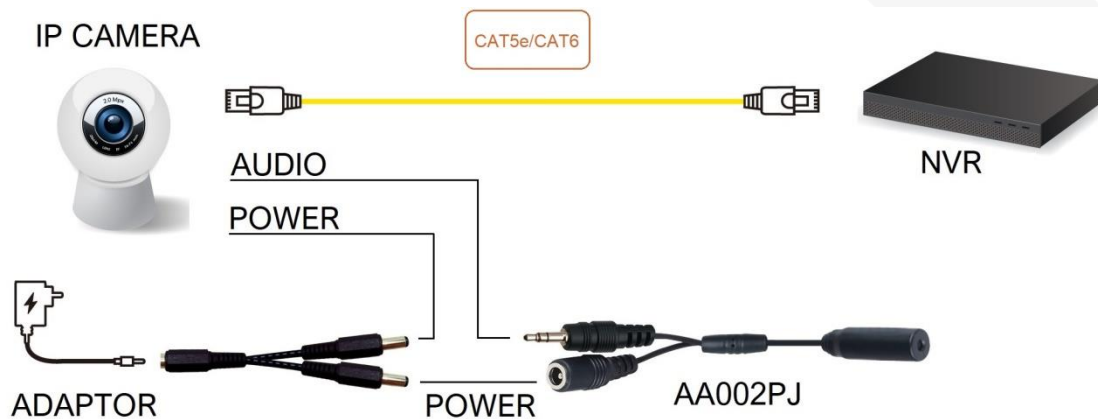
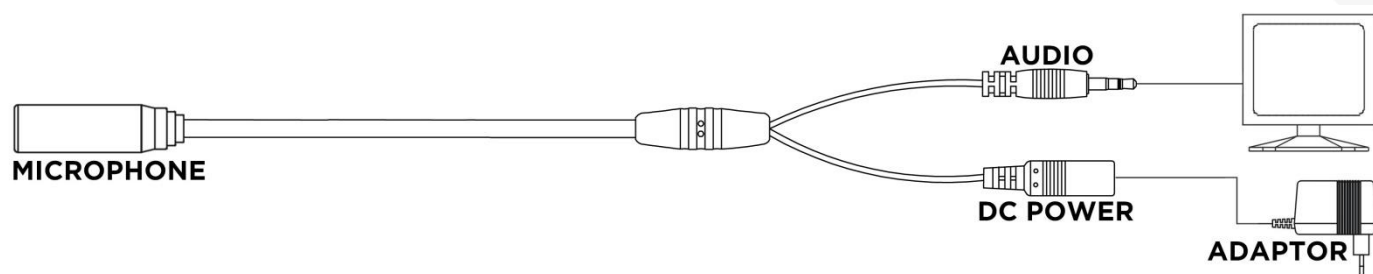
Introduction

AA002PJ is a CCTV microphone designed to record the sound for a CCTV camera with sensitivity at -65dB...

Features

- Records audio for a CCTV camera.
- Supports sensitivity at -65dB.
- Built-in a 45cm DC jack/ audio cable..

Installation View



Remark: Since Hi sensitivity microphone, AA002PJ audio pick up box must be put at 5 meters away from monitor to avoid any audio reverberation..

Specification

ITEM NO.	AA002PJ
Support	
Sensitivity	-65dB (± 3 dB@ 1 KHz)
Frequency Response	30Hz to 16KHz
Ports & Interfaces	
Audio Output	1 x RCA Female Jack (2.2K Ω , 2V p-p)
Power Interface	1 x DC Plug
Power	
Power Supply	DC 12V (± 0.5 V)
Power Consumption	10 mA
Ambient Temperature	
Operation	-10 to 45°C
Storage	-30 to 60°C
Humidity	Up to 95%
Physical Characteristics	
Dimensions	50 x 14 x 14mm & 450mm Cable
Weight	35g